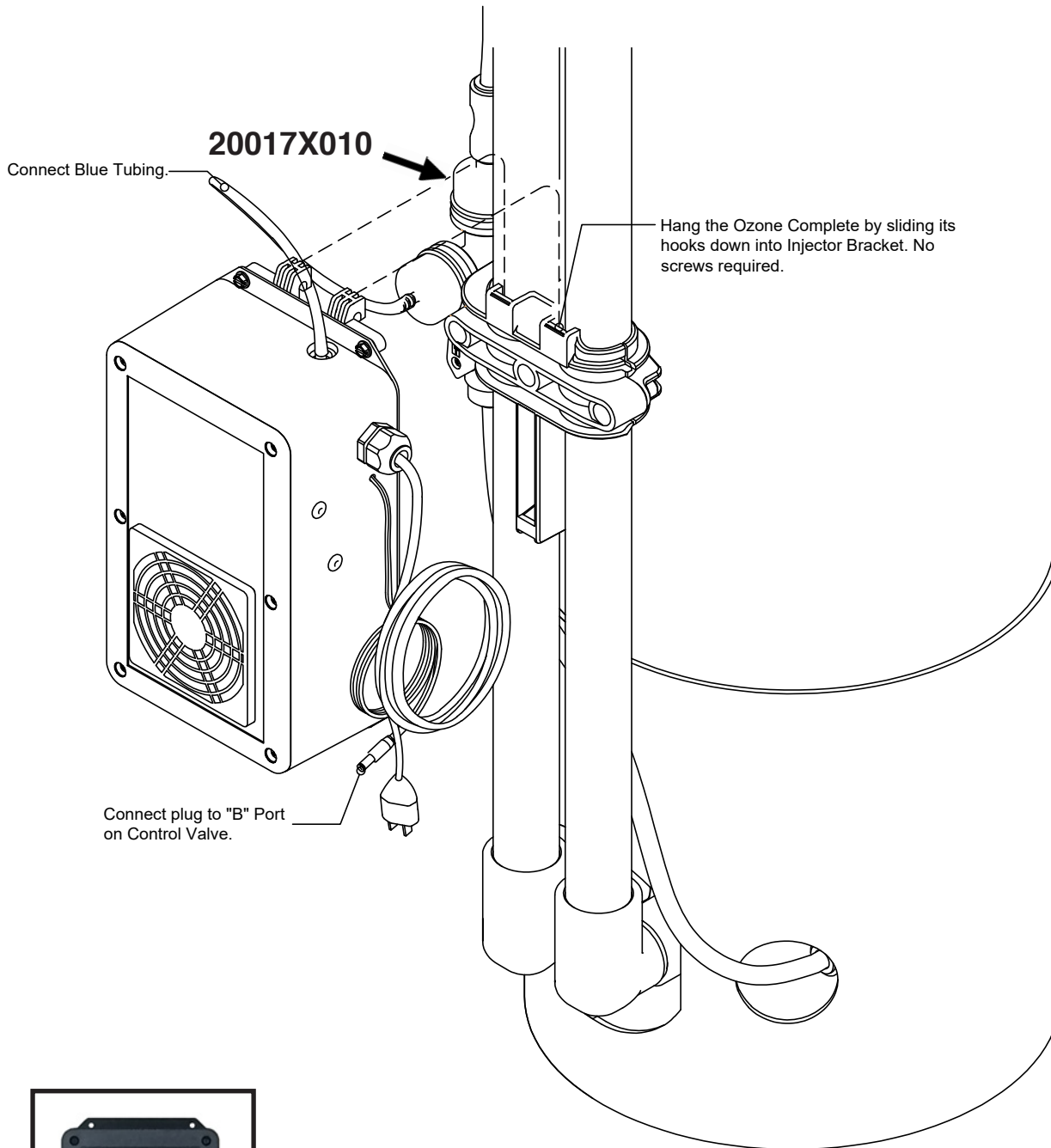


WaterSoft™



OXY-03



Once installation is complete, the OXY-03 will automatically activate during every air replenish cycle. No additional valve programming is necessary.

*Remove existing 20017X010 and replace with 20017X010-O provided.